

/ LaserInspect™ CIMO4



All Rights Reserved, Copyright © August 2022, NEO Monitors AS

NEO Monitors' LaserInspect™ CIMO4 gives the operator the opportunity to remotely operate up to 4 LaserGas™ analyzers from the same display*. The operator have full status overview in an instance of all instruments and is able to perform maintenance tasks directly from the panel. This HMI is designed for the NEO Monitors LaserGas™ family and can easily be integrated into a cabinet.

Features

- Sleek full-color touchscreen
- 15" with narrow tablet-style bezels

Certification & Compliance

RoHS Compliant

ATEX Approved

II 3 G Ex ic nA IIC T4 Gc
II 3 D Ex tc IIIC T135°C Dc
DEMKO 14 ATEX 1387X
EN 60079-0, -11, -15, -31

IECEX Approved

Ex ic nA IIC T4 Gc
Ex tc IIIC T135°C Dc
IECEX UL 15.0035X
IEC 60079-0, -11, -15, -31

CE Approved

EN 61326-1 Immunity to industrial locations emission
CISPR 11 Class A IEC/EN 61010-1

UL Approved

cULus listed for ordinary location:
File #E302106 UL 61010-1, -2-201

cULus listed for hazardous location:
File #E317425

Class I, Division 2, Groups A, B, C and D
Class II, Division 2, Groups F and G
Class III, Division 2

ANSI/ISA 12.12.01, C22.2 No. 213-M1987,
157-92

Type 4X IP66 enclosure rating (face only)
ABS type approval for shipboard
applications

*Separate Ethernet switch is required to operate multiple analyzers



neomonitors

© NEOM 0822

Technical data

Power Input

- Input voltage: 10 to 30 VDC
- Typical power HMI only: 18 W
- Maximum power HMI only: 24 W
- Maximum power HMI with modules: 58 W
- Must use a Class 2 circuit according to National Electrical Code (NEC), NFPA-70 or Canadian Electrical Code (CEC), Part I, C22.1 or a Limited Power Supply (LPS) according to IEC 60950-1 or Limited-energy circuit according to IEC 61010-1.
- Power connection via removable three position terminal block.

Power Connection

- High compression cage-clamp terminal block
- Wire Strip Length: 0.3" (7.5 mm)
- Wire Gauge Capacity: One 14 AWG (1.63 mm) solid, two 18 AWG (1.02 mm) or four 20 AWG (0.81 mm)

Network Media

- 10BaseT: ≥ Cat3 cable
- 100BaseTX: ≥ Cat5 cable

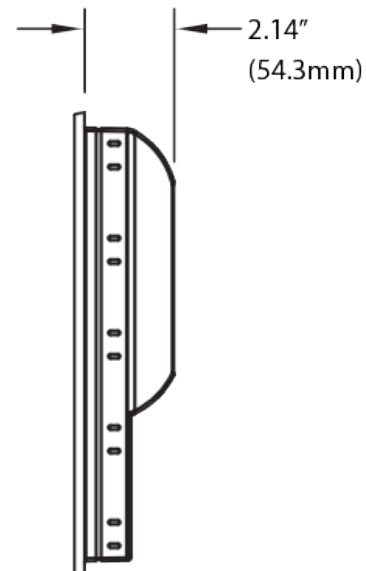
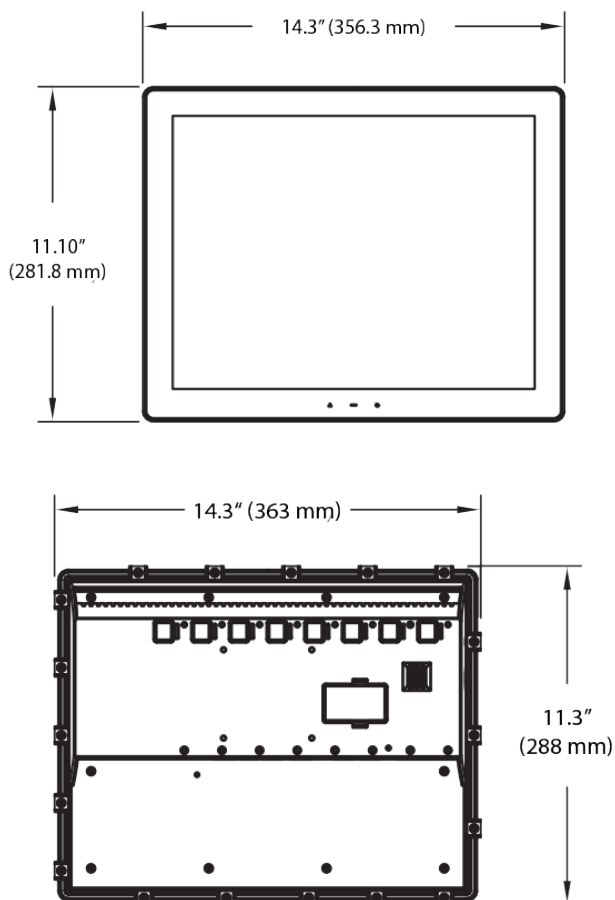
Environmental

- Operating Temperature: -20°C to 60°C
- Storage Temperature: -20°C to 70°C
- Operating Humidity: 0 to 85% (non condensing)
- Operating Altitude: Up to 2000 meters
- Shock: 40 g per IEC 68-2-27
- Vibration: 4 g @ 5-500 Hz per IEC 68-2-6

LCD Display

- Touchscreen: Resistive analog
- Size 15"
- Pixels: 1024x768
- Brightness: 400 cd/m2
- Backlight 70,000 HR TYP

Outlines and measurements



PERFORMANCE YOU CAN TRUST

www.neomonitors.com