

# / LaserGas™ T-Flange solution



All Rights Reserved. Copyright © August 2022, NEO Monitors AS

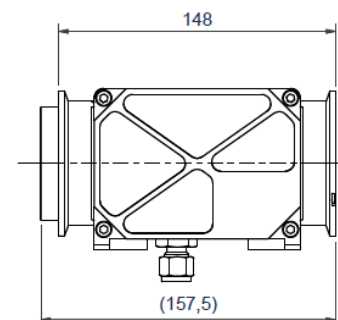
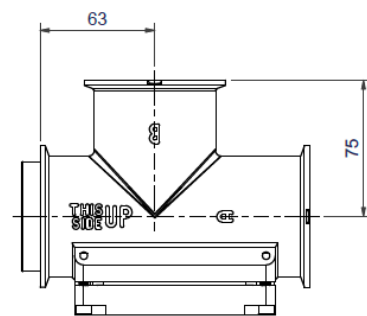
## General

The T-flange enables the combination of two LaserGas™ III units on a single measurement port.

The solution consists of two T-shaped flanges, each with a beam splitter, which combines and splits the laser beams of two Laser-Gas III instruments.

The solution enables more gas components to be measured with limited effort and reduced installation costs.

The T-flange is made of Stainless steel (AISI 316L), while the inner optomechanics is made in anodized aluminium.



## Customer benefits

- Lower installation cost
- Less space required
- High flexibility
- Hot-swap of a single analyzer possible
- Easily extendable to other applications

## Gas combinations \*

Channel A	Channel B
CO ppm	O2

\* Other gas combinations on request

**PERFORMANCE YOU CAN TRUST**

[www.neomonitors.com](http://www.neomonitors.com)

**neoMONITORS**

© NEOM 0822